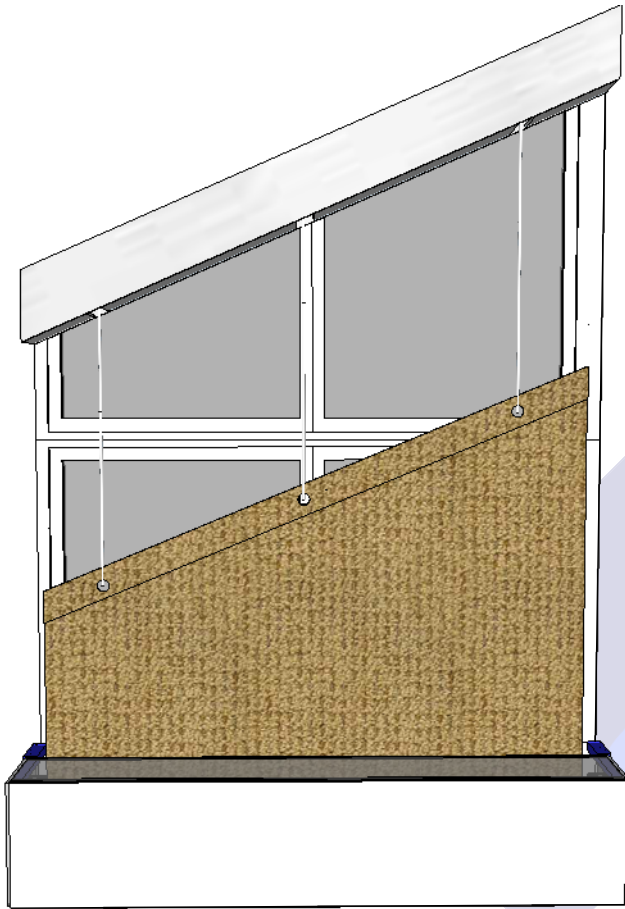


Motorized Angled Roller Shade Instructions

Congratulations on your purchase of a specialty shade from DEL Motorized Solutions.
If you have any questions, please call technical support at 1-866-446-6867
or email us at info@motorizedsolutions.com



Important Notes - Please Read Before Installing



CAUTION: RISK OF FALLING OBJECTS

Securely install the shade system per the mounting instructions. Failure to do so could result in minor or moderate injury.



WARNING: SHOCK HAZARD

Can cause serious injury or death. Turn off power at the main service panel before connecting or servicing a shade with a wired power supply.



Shade brackets and hardware are to be anchored into wood blocking. If wood blocking is not available, you must use appropriate fasteners (not included) to support the weight of the system and load.



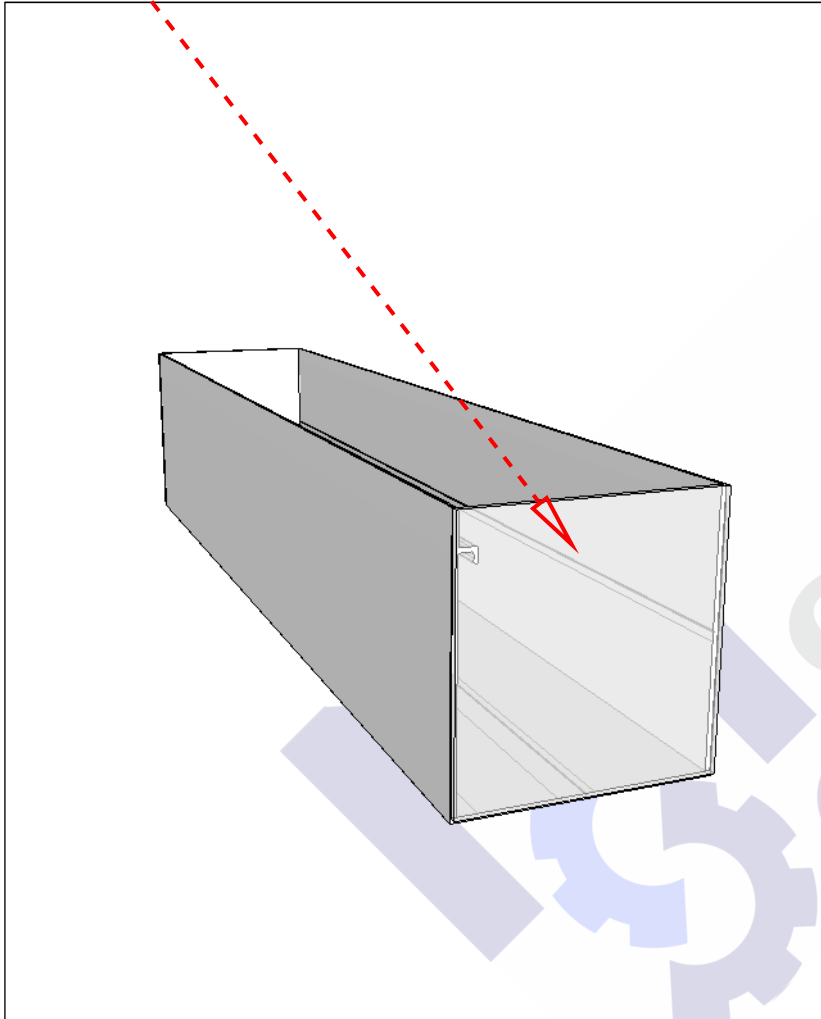
Pre-drill all holes with the appropriate size bit.

TOOLS REQUIRED

Pencil, Tape Measure, Powered Screwdriver / Drill, Level, 1/4 hex head driver, #2 Phillips screwdriver, wire cutter/stripper, drill bits.

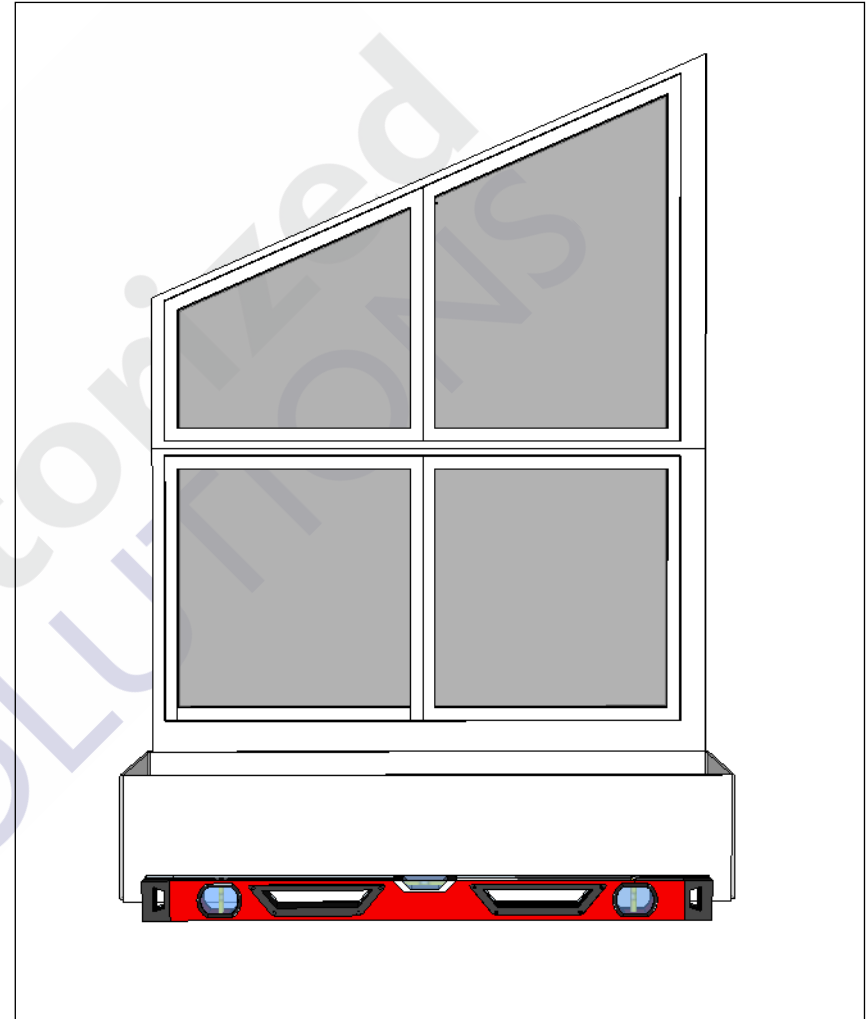
Step 1 - End Caps

Insert the end caps on both left and right sides.



Step 2 - Pocket

Align and level the pocket in the location where it will be mounted.

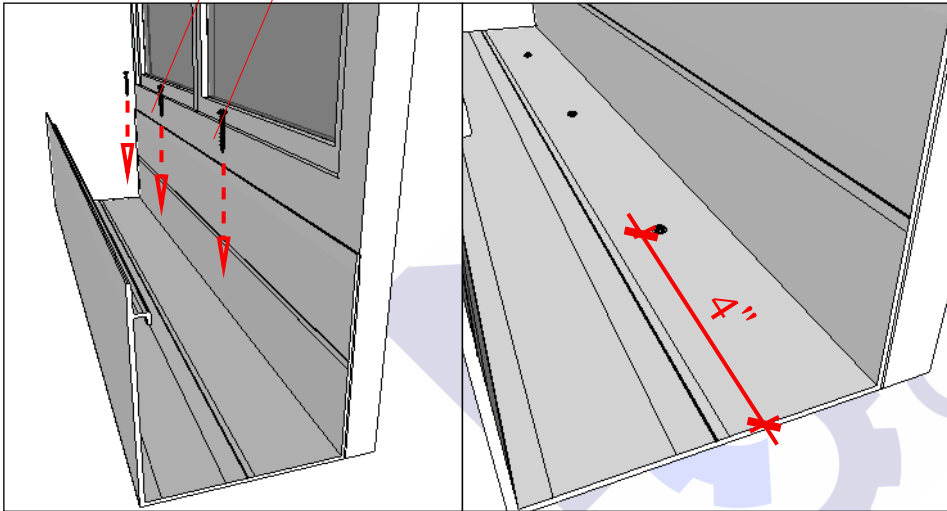


Step 3 - Pocket Mounting

Install anchors that are strong enough to support the entire load.
The anchors are to start at 4" in from both ends and then spaced no more than 36" apart.

Inside Mount

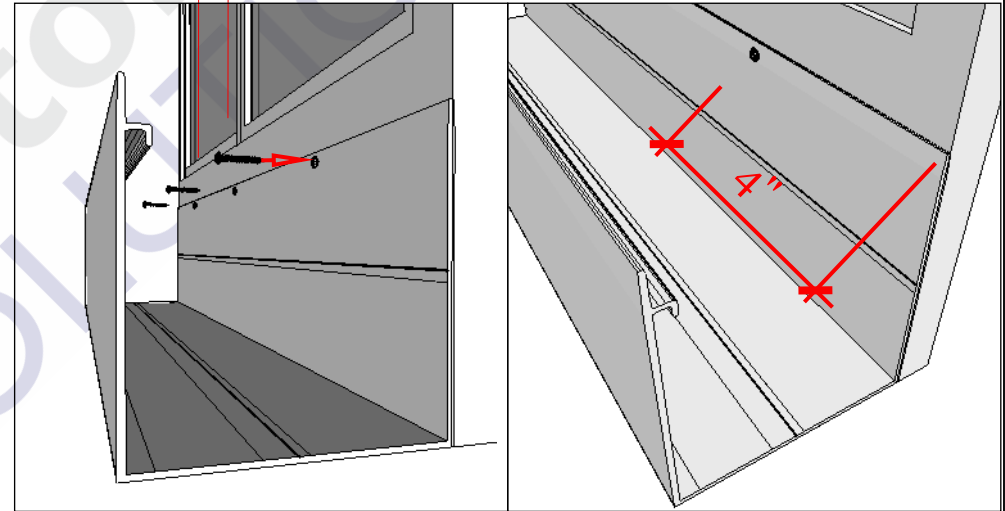
Less Than 36" Apart



Outside Mount

Less Than 36" Apart

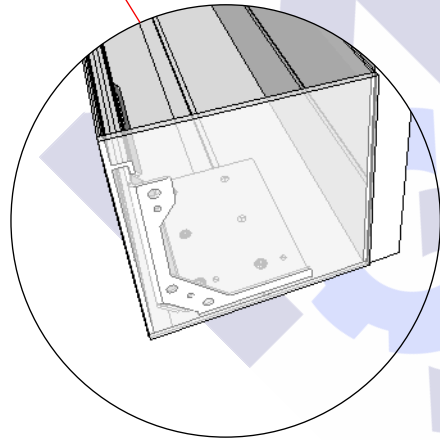
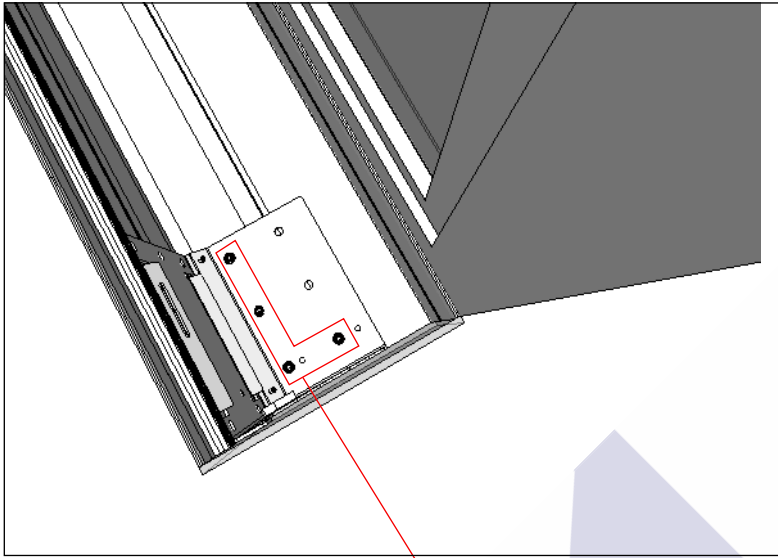
Note - A right angled attachment is required for mounting a pocket on a vertical surface to ensure the screws are straight.



Step 4 - Sub Brackets

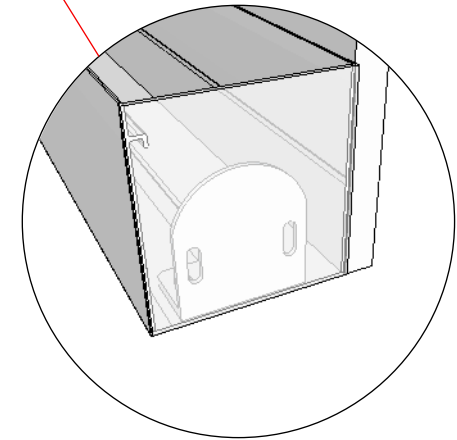
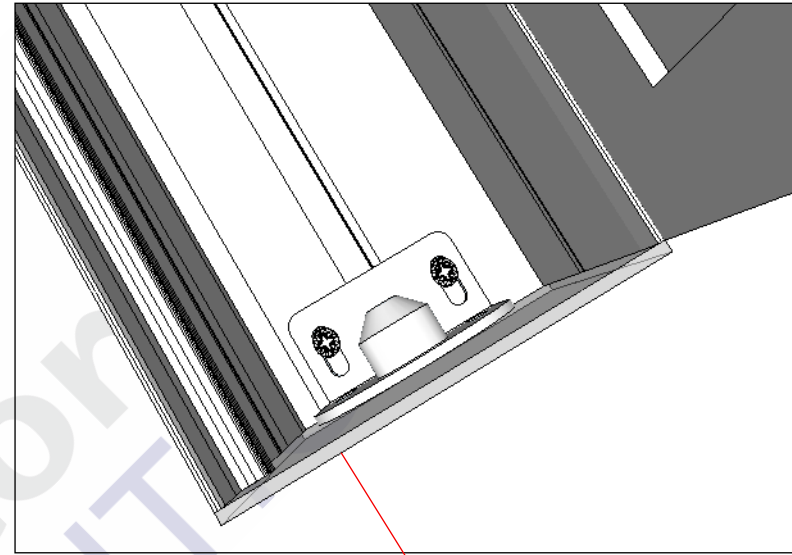
Lutron

Insert screws through the bracket and pocket.
Only use the outer 4 holes as shown below.



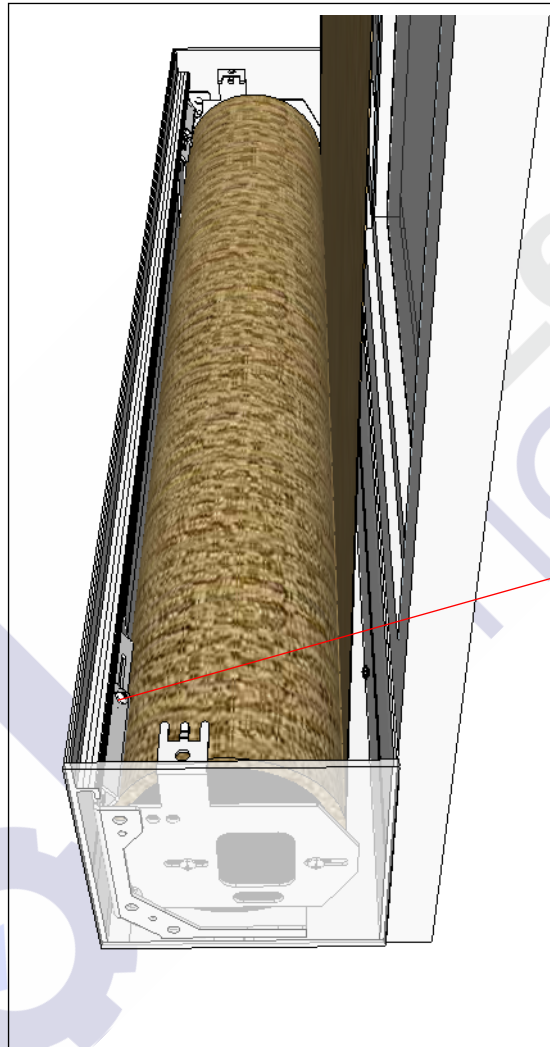
Non Lutron

Insert screws through the bracket and pocket
as shown below.



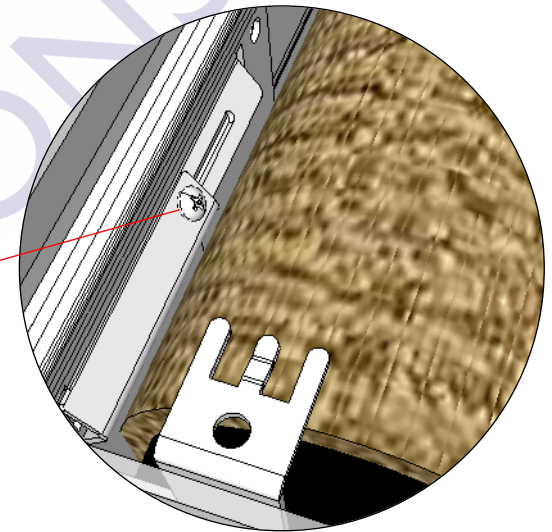
Step 5 - Mounting The Shade

Unroll enough fabric to expose the hembar.
Connect the shade unit to the bracket pocket assembly.



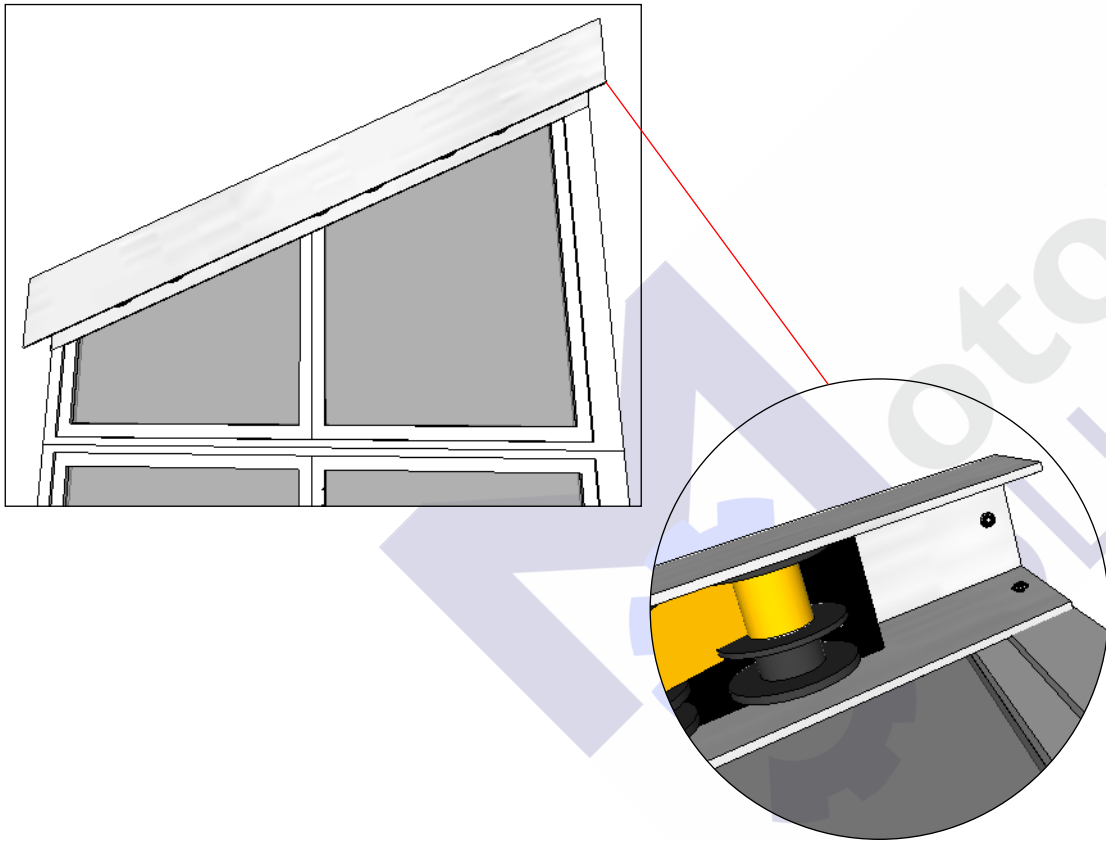
Step 6 - Lock In The Shade (Lutron Shades Only)

Install the set screw to
lock the shade in place.



Step 7 - Install The Spring Rail

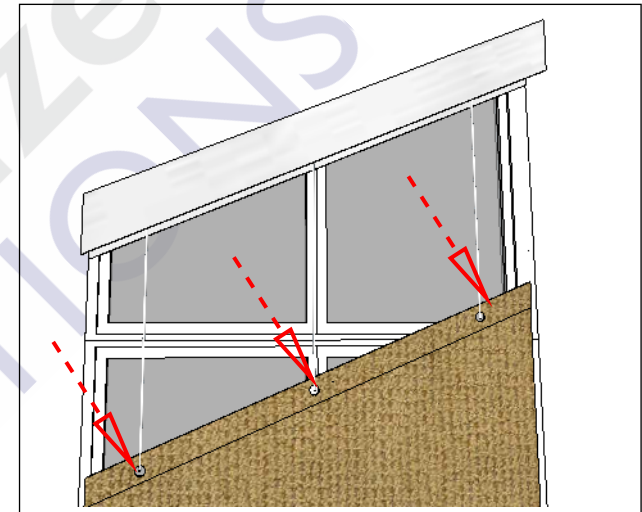
Mount the spring rail to the opening's hypotenuse using anchors strong enough to support the weight of the shade assembly, spring rail assembly, plus an additional 50% of weight. Screws to be located in all areas between the springs and at the ends.



Step 8 - Connect The Lift Cords

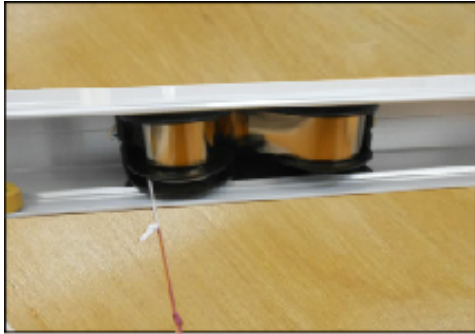
Connect the lift cords to the fabric.

See "Lasso Knot Instructions" on the following pages for detail on the cord connection.



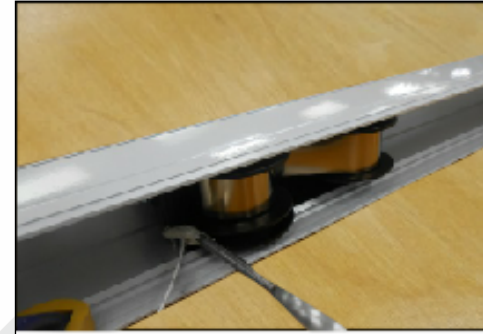
Step 8A - Lasso Knot

1.



Pull enough string out in order to fish the string through the metal grommet on the shade hembar as depicted in step 3.

2.



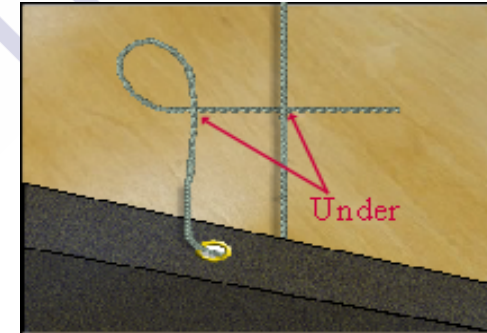
Clamp the string at the spring location to stop tension. A second person can secure the string if a clamp tool is unavailable.

3.



With the string secured feed the string through the back side of the shade as illustrated above.

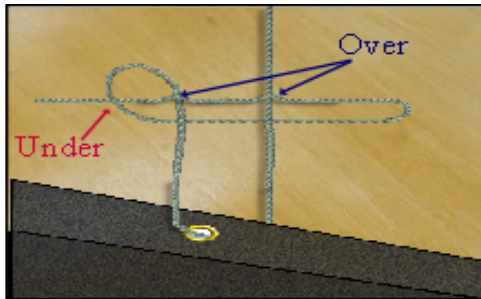
4.



Now loop the string forming a backwards “P” with the bottom of the loop going under both the leg of the “P” as well as the string behind the fabric.

Step 8B - Lasso Knot

5.



Now loop around the string that's behind the fabric and through the "P" to create the knot.

6.



You will now need to pull the string to tighten the knot. Once tightened you may remove the extension string (red).

7.



Tuck the excess string into the loop. We do not recommend cutting the knot that was pre tied to the string as it helps the Lasso knot remain secure.

8.



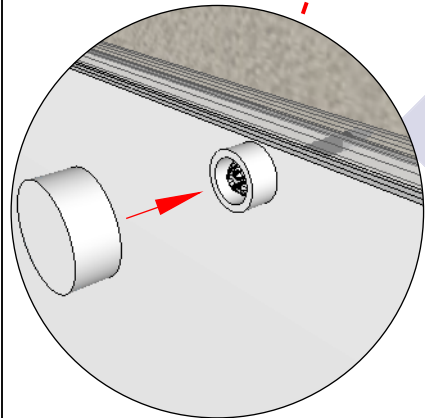
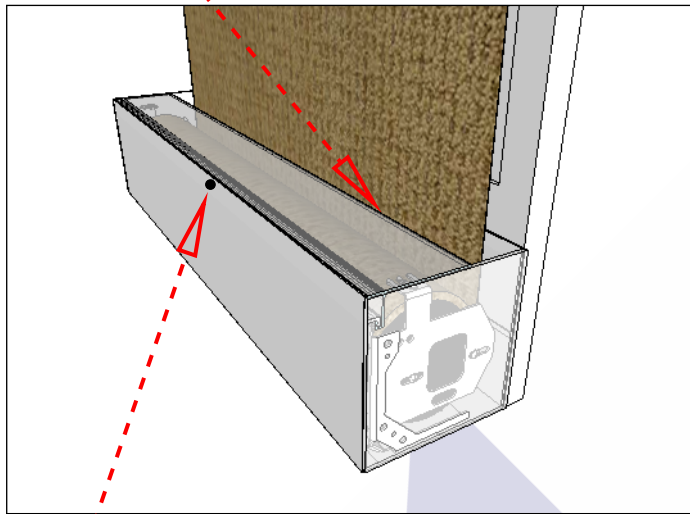
The Lasso knot is now complete. The clamp that was holding the tension cable in place can be removed.

Proceed to programming before continuing to Step 9. A link to programming guides is provided at the last page of this instruction manual.

Step 9 - Install The Optional Flap

Connect the flap

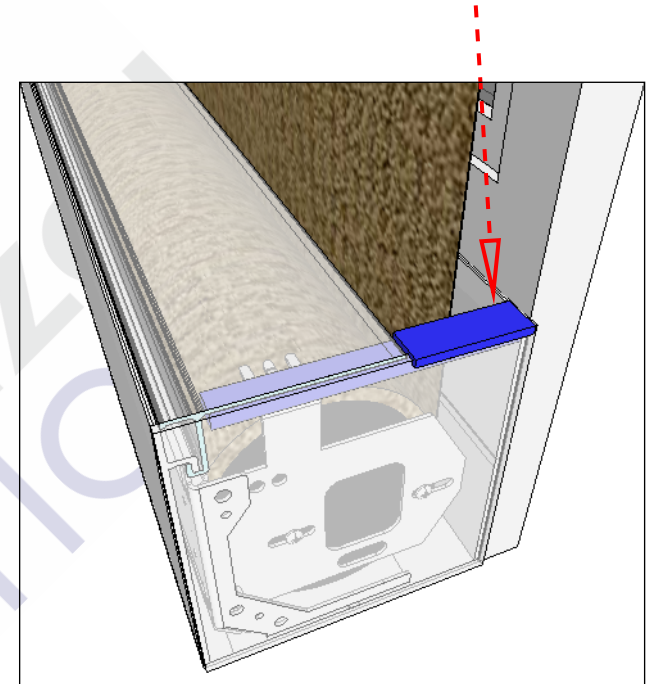
Note - the flap will not stay up until the supports in Step 10 are installed.



Note - For shades over 96" wide, install the flap support screw in the center of the width of the pocket, 1/8" down from the top of the pocket (through the pocket and into the flap) to support the center. It is important that the screw is no more than 1/8" down from the top and 1.5" long so that it does not damage the fabric. Then snap on the cap to conceal it.

Step 10 - Install The Flap Supports

Connect the flap supports

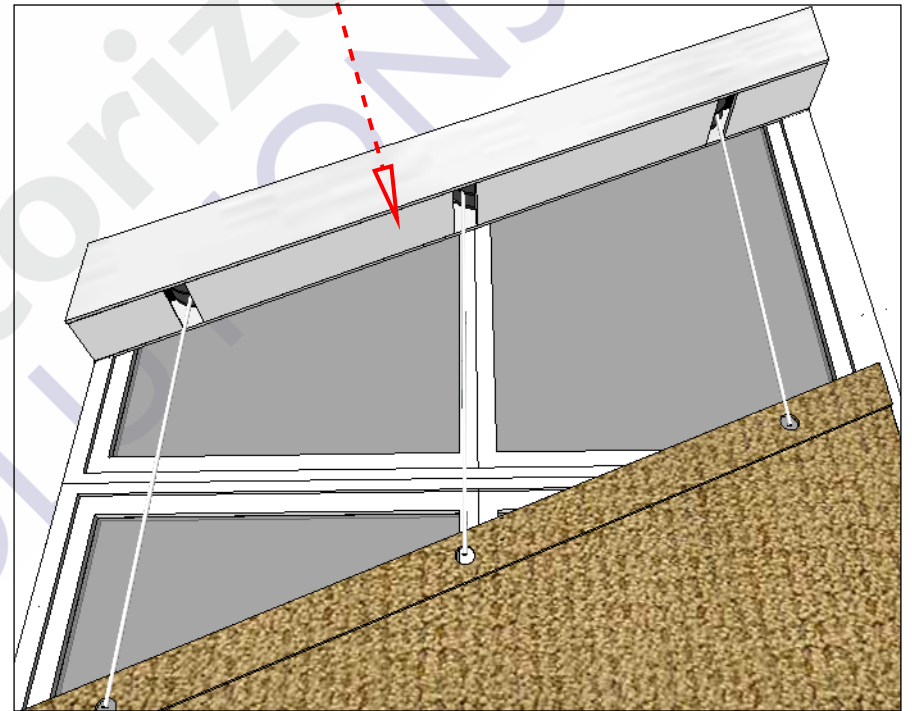


Step 11 - Spring Adjustments and Rail Finish

Slide each springs left or right so that the lift cords are straight and plumb. Then tighten the two set screws to lock the spring in place.



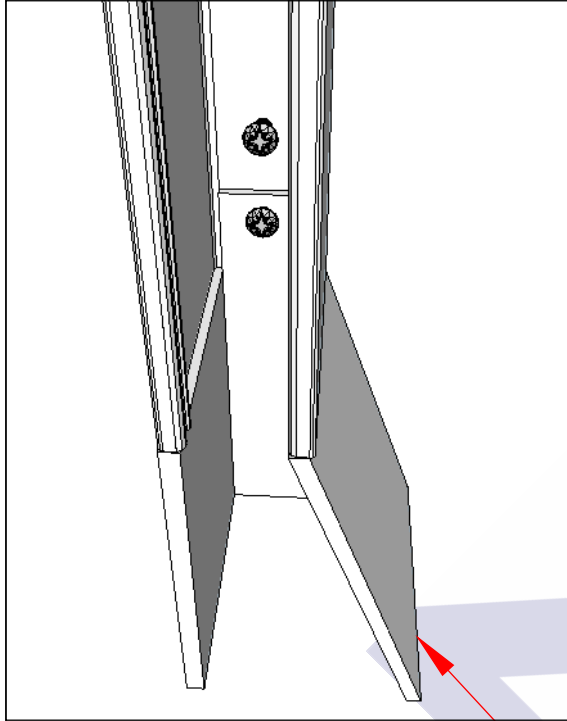
Snap on the caps to conceal the spring units.



Optional Side Channels

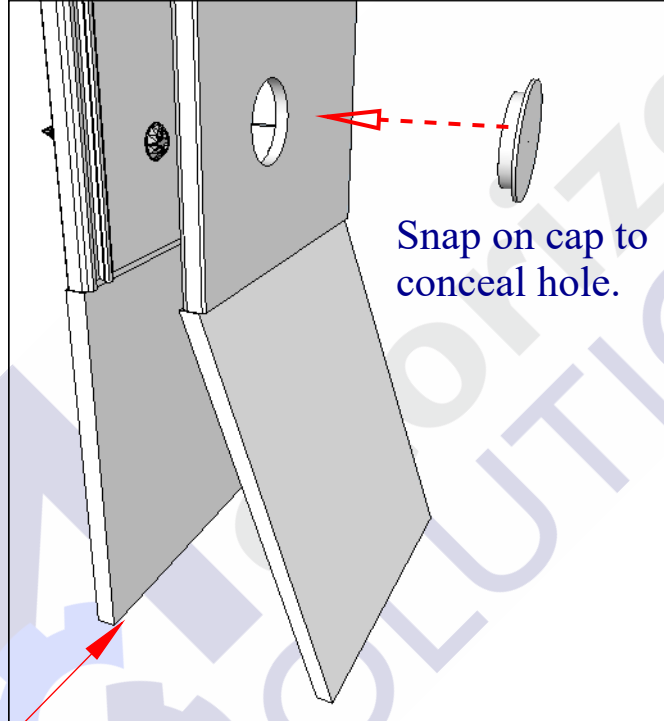
Inside Mount

Screw side channel into side jamb.



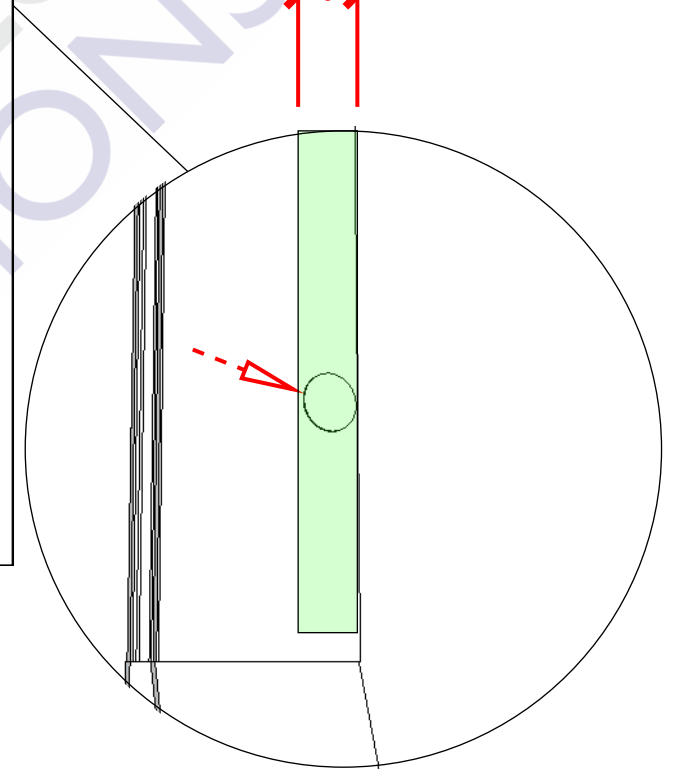
Outside Mount

Screw side channel into vertical surface.



Drill a 3/8" hole in the outside of the side channel to allow access to the screw.

3/4" safe zone to drill for screw

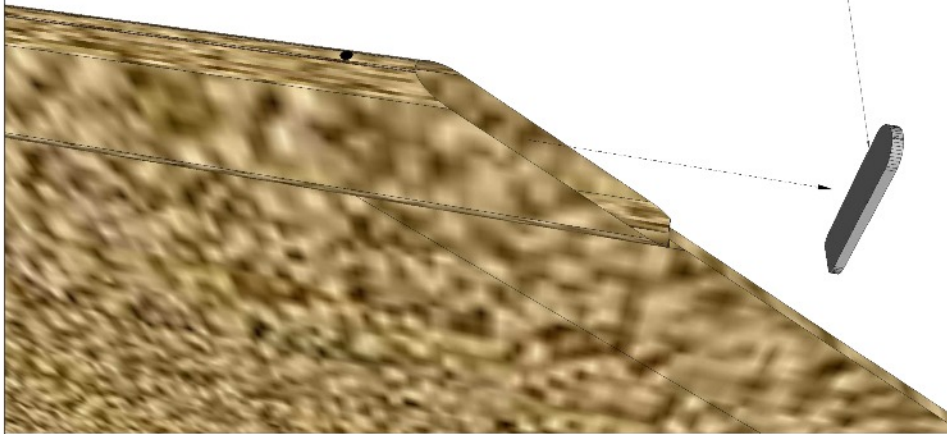


Insert transition piece at the bottom of the side channel.

For use with Straight Top Angled Shades

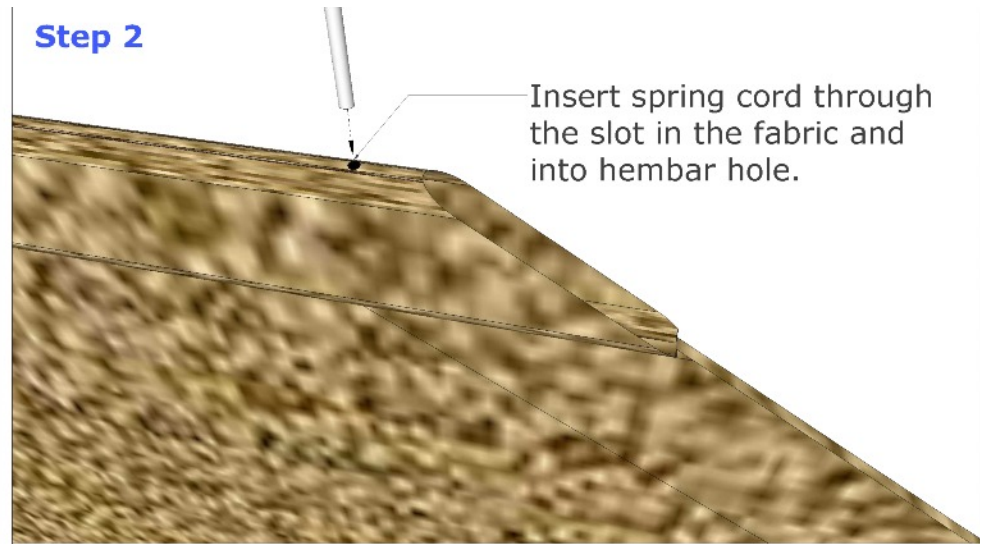
Step 1

Remove the end cap



Step 2

Insert spring cord through the slot in the fabric and into hembar hole.

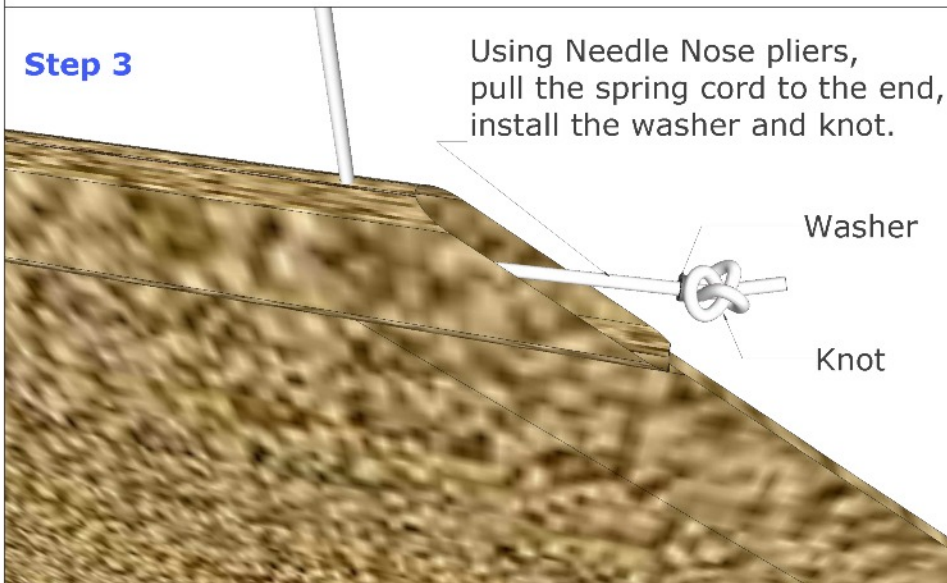


Step 3

Using Needle Nose pliers, pull the spring cord to the end, install the washer and knot.

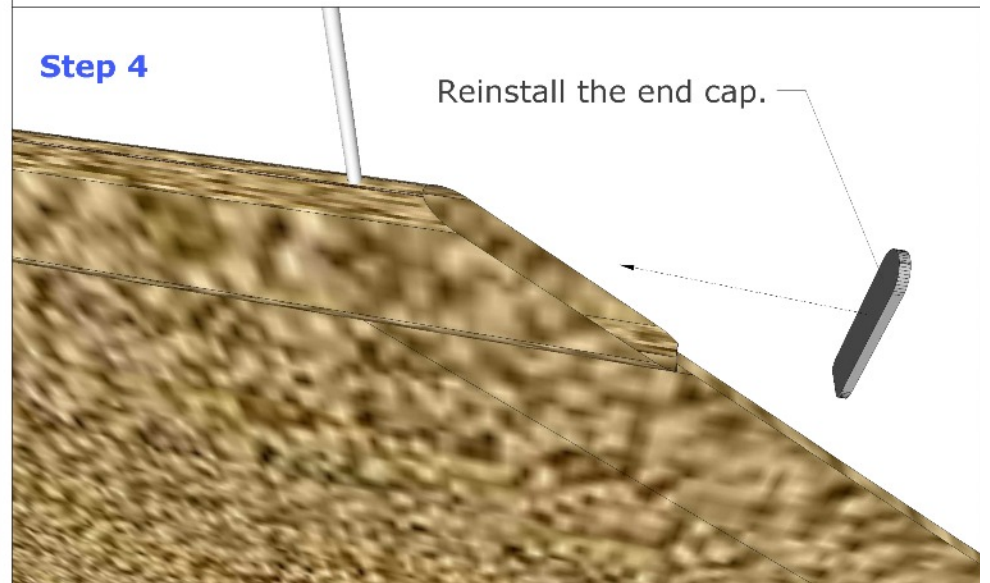
Washer

Knot



Step 4

Reinstall the end cap.



Programming Guides

Please scan the QR code or click the link below to be forwarded to the programming guides for instructions on how to set the upper and lower limits, assigning controls, etc.



Use the QR code above to access the instruction guide from a smart device.

[Click Here](#)

Use the link above to access the instruction guide from an electronic device.